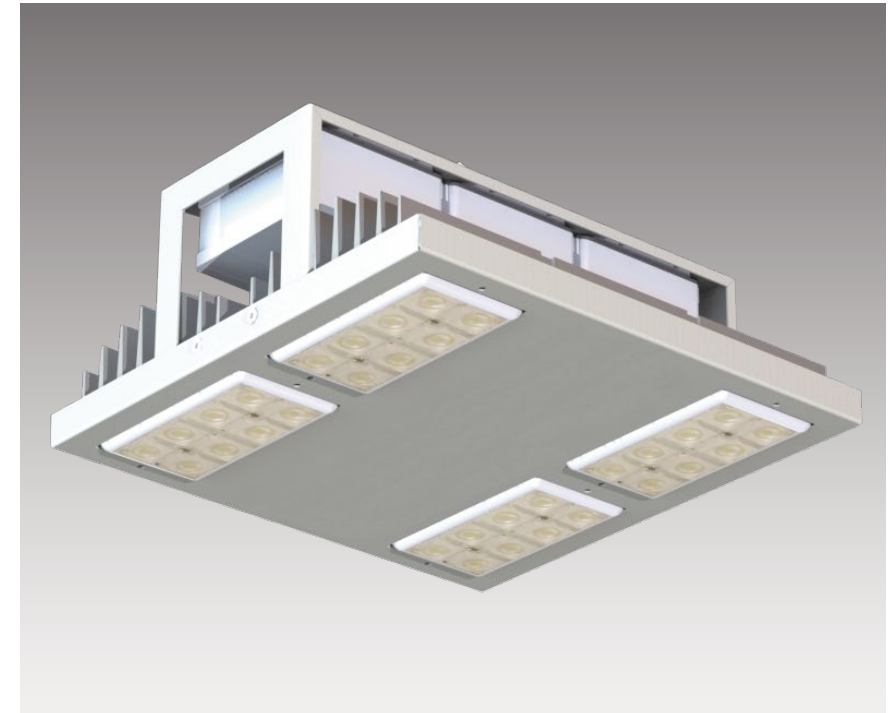


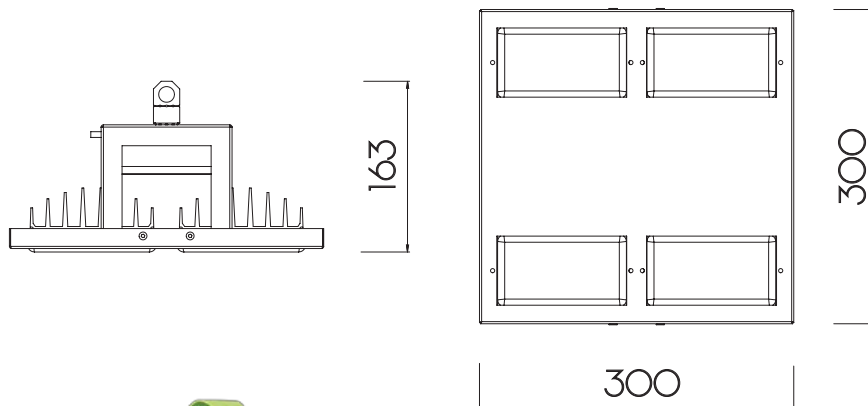
CAMLED SQUARD - 100W

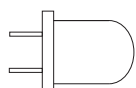
Luminaria de colgar para grandes áreas. De distribución lumínica general directa. Cuerpo construido en hierro doble decapado, con tratamiento anticorrosivo al trifosfato. Recubrimiento termo-convertible en color blanco micro texturado. Con 4 módulos de Led de 25w c/u. Herméticos Ip67. Con drivers incorporado Ip67. Gancho de sujeción universal.

Lighting fixture for hanging in big areas. Of a general direct lighting distribution. Having the body built up in iron double pickling, with a special triphosphate treatment that prevents corrosion. Recovered in a thermo-convertible colour white micro texturized. With a 4 module LED of 25W each one. Hermetic Ip67. Also drivers of Ip67. Universal hanging hook.



Cod: 270L1201



Lámpara / Lamp	Potencia / Electric power	Zócalo / Lampholders	Ip
 LED	100w	—	67

