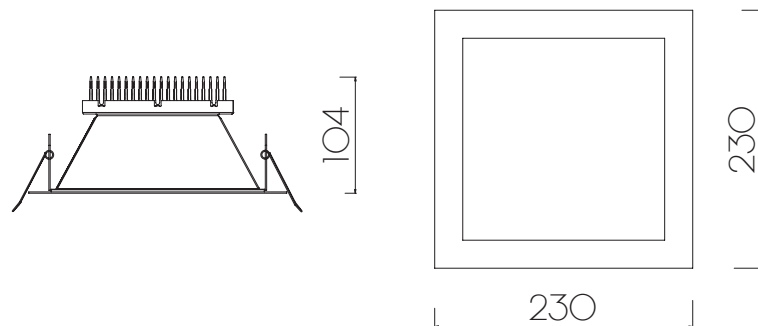
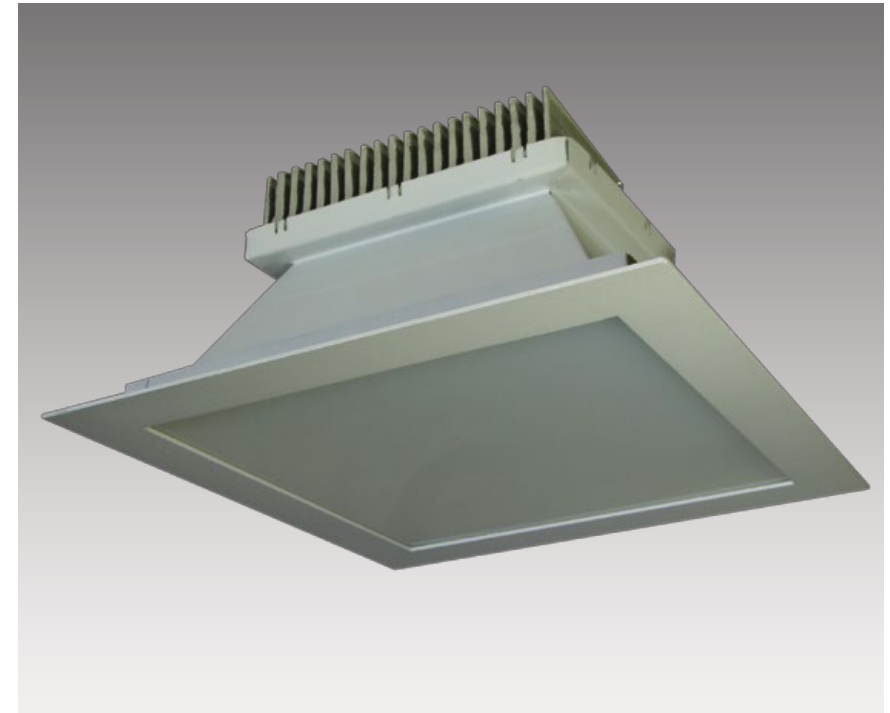


PYXIS Embutido Cuadrado / PYXIS Square to insert inside the tin ceiling

Artefacto de embutir en cielorasos. De distribución lumínica general difusa. Fuente lumínica por medio de placa de Led. Cuerpo realizado en Hierro Doble Decapado. Disipador de temperatura de aluminio extruido. Recubrimiento termo convertible color Blanco micro texturado. Frente difusor en metacrilato blanco semi translucido.

Lighting fixture to insert inside the tin ceiling. Of general lighting diffused distribution. The power force comes from a LED plaque. The ring made of injected aluminium. Temperature dissipater made of aluminium in a special process. Recovered in a thermo-convertible colour white micro texturized. The front diffuser in methacrylate white almost translucent.



Cod: 411L2326

Potencia / Electric power	H°	Lm	lp
25w	3000°	2250lm	20
25w	4100°	2250lm	20
25w	5500°	2250lm	20
40w	3000°	5000lm	20
40w	4100°	5000lm	20
40w	5500°	5000lm	20

