

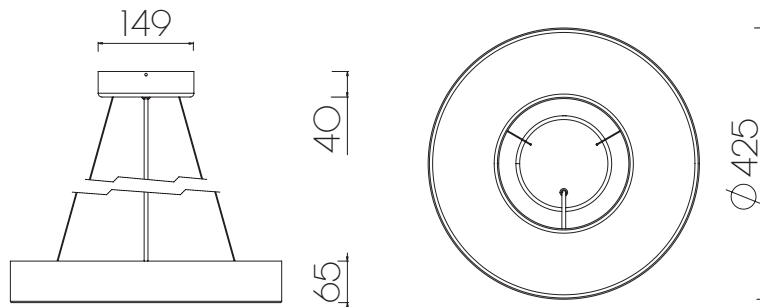
# ELIS Colgante circular 430mm 24w / ELIS circular Hanging lighting fixture 430mm 24W

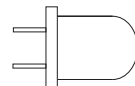
Luminaria de colgar en techo. De distribución lumínica general difusa. Cuerpo construido en hierro doble decapado, con tratamiento anticorrosivo al trifosfato. Recubrimiento termo-convertible en color Blanco Micro texturado. Difusor de metacrilato opaco. Placas de led SMD con driver CC incorporado.

*Lighting fixture to hang of the roof. Of general diffuse lighting distribution. Body made of iron, double pickling, with a special triphosphate treatment that prevents corrosion. Recovered in a thermo-convertible colour white micro texturized. Diffuse of methacrylate matt. SMD Led plaques with CC driver incorporated.*



Cod: 739D4326



| Lámpara /<br>Lamp   | Potencia /<br>Electric power | Zócalo /<br>Lampholders | Ip |
|---|------------------------------|-------------------------|----|
|  LED | 24w                          | —                       | 20 |